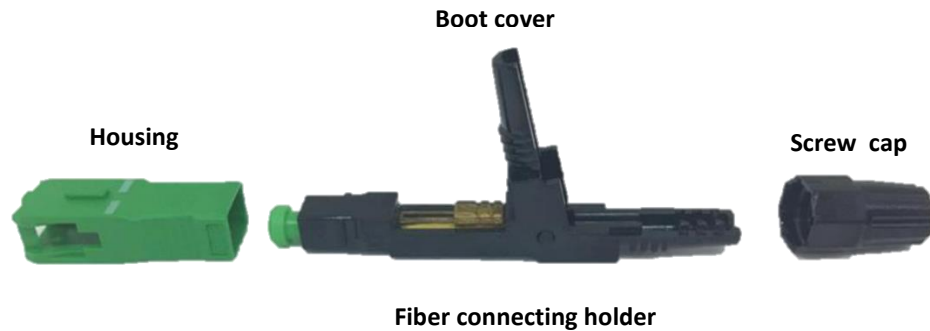


## Fiber Optic Fast Connector



### Fast Connector

Description: Optical fast connector takes use of the latest generation of Rapid Ready-Terminal technology. After terminating, both the optical and mechanical performances reach the standard for patchcord and meet the demand for making patchcord on site by mechanical splicing.

### Features:

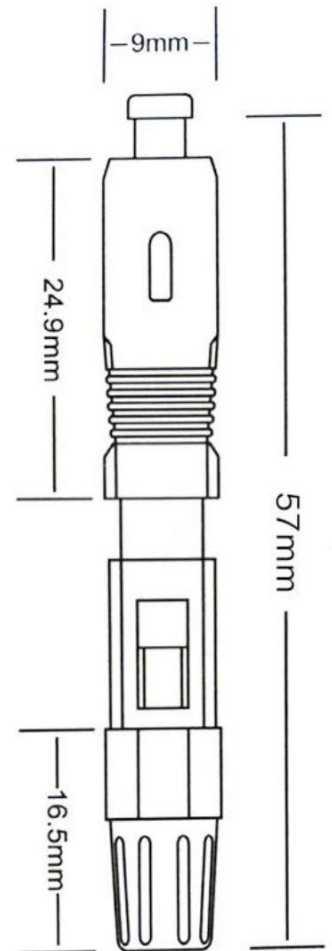
- Low insertion loss and back reflection loss -Extremely easy for operation
- Short operation time.
- No need of epoxy,
- No need of polishing (for PC )

### Applications:

- FTTxRebuilding the wiring in optical equipments rooms.

### Availability:

- Following types of connector is available:SC/PC、 FC/PC



### Specifications (SC/APC connector)

Item	Description
Fiber diameter	3.0*2.0mm
End face polished	APC
Insertion loss	Average value≤0.25 dB, max value≤0.4 dB
Return loss	Min.>45dB, Typ.>50dB ( SM fiber UPC polish)
	Min.>55dB, Typ. >55dB ( SM fiber APC polish/When use with Flat cleaver)
Fiber retention force	<30N (<0.2dB with impressed pressure)

### Test Parameters

Item	Description
Twist test	Condition: 15N load, 5 cycles in a test
Pull test	Condition: 30N load, 120sec
Drop test	Condition: At 1.5m, 10 repetitions
Durability test	Condition: 200 repetition of connecting/disconnecting
Vibrate test	Condition: 3 axes 2hr/axis, 1.5mm(peak-peak), 10 to 55Hz(45Hz/min)
Thermal Aging	Condition: +85°C ± 2°C, 96 hours
Humidity test	Condition: 90 to 95%RH, Temp75°C for 168hrs
Thermal Cycle	Condition: -40 to 85°C, 21 cycles for 168 hours