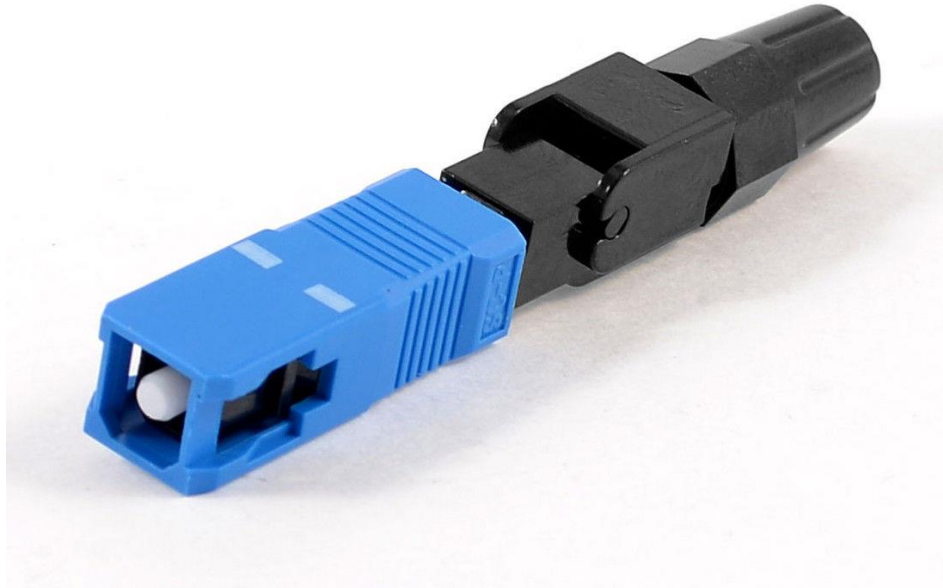


## Fiber Optic Fast Connector SC/UPC



### Overview

Optical fast connector takes use of the latest generation of Rapid Ready-Terminal technology. After terminating, both the optical and mechanical performances reach the standard for patchcord and meet the demand for making patchcord on site by mechanical splicing.

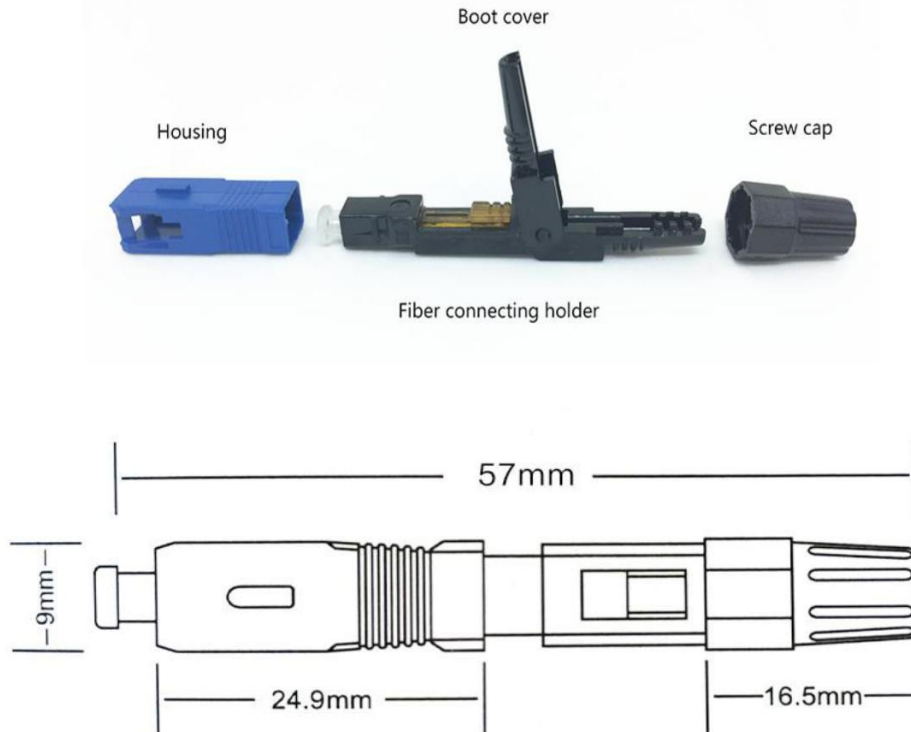
### Features

- Low insertion loss and back reflection loss
  - Extremely easy for operation
- Short operation time.
- No need of epoxy,
- No need of polishing (for PC)

### Application & Availability

FTTx Rebuilding the wiring in optical equipment's rooms

Following types of connector is available:  
SC/PC、FC/PC



## Specification (SC/UPC ) Connector

Item	Description
Fiber Diameter	3.0*2.0mm
End face polished	UPC
Insertion Loss	Average value $\leq$ 0.25 dB. max value $\leq$ 0.4 dB
Return Loss	Min. >40dB, Typ. >45dB (SM fiber UPC polish)
	Min. >50dB, Typ. >50dB (SM fiber APC polish/When use with Flat cleaver)
Fiber Retention force	<30N (<0.2dB with impressed pressure)

## Test Parameters

Item	Description
Twist test	Condition 15N load, 5 cycle in a test
Pull test	Condition: 30N load, 120 sec
Drop test	Condition: At 1.5m, 10 repetition
Durability test	Condition:200 repetition of connecting/ disconnecting
Vibrate test	Condition: 3 axes 2hr/axis, 1.5mm (peak-peak), 10 to 55Hz (45Hz/min)
Thermal aging	Condition: +85°C $\pm$ 2°C, 96 hours
Humidity test	Condition: 90 to 95%RH, Temp75°C for 168hrs
Thermal Cycle	Condition: -40 to 85°C, 21 cycles for 168 hours