

FTTH-014

COMCAST GROUP



Contents

1.Description

2.Configuration

3.Features

4.Specification

5.Installation

1. Description

The equipment is used as a termination point for the feeder cable to connect with drop cable in FTTx communication network system. The fiber splicing, splitting, distribution can be done in this box, and meanwhile it provides solid protection and management for the FTTx network building.

2. Configuration

Material	PC+ ABS
Size	A*B*C(mm) 295*220*85
Max Capacity	SC 16 Ports
	PLC 1x8(SC)
Weight	1.0kg
Color	Black

2.1 Splitter

Product name	PLC Splitter			Product type			PLC-1x16 SC/APC 1M		
Testing parameters	Insertion Loss (dB)			PDL(dB)			Return loss (dB)		
Require wavelength (nm)	1260-1650								
Operating Wavelength (nm)	1310	1490	1550	1310	1490	1550	1310	1490	1550
Testing Standar (dB)	≤13.6			≤0.3			≥60		

3. Features

1. Total Enclosed structure
2. Material: PC+ABS, wet- proof. Dust- proof, anti- aging, protection level up to IP55
3. clamping for feeder cable and drop, fiber slicing, fixation, storage, distribution
4. cable, pigtails, patch cores are running through own path without disturbing each other, cassette type SC adaptor installation, easy maintenance.
5. distribution panel can be flipped up, feeder cable can be placed in a cup-joint way, easy for maintenance and installation.
6. cabinet can be installed by the way of wall mounted or poled-mounted, suitable for both indoor and outdoor uses.

Model	Description	Size	Max Capacity			Installation	Cale ways
		A*B*C (Pic 1)	SC	LC	PLC	D*E (mm)	
GFS-8B	Distribution Box	250*190*39	8	16	16 (LC)	130*82	Not cup-joint
GFS-12D	Distribution Box	250*190*39	12	24	16 (LC)	130*82	Not cup-joint
GSF-16G	Distribution Box	293*219*84	16	32	32 (LC)	130*82	Not cup-joint / cup-joint

4.Specification

4.1 Environmental requirement

- Working temperature : $-40^{\circ}\text{C} \sim +85^{\circ}\text{C}$
- Relative humidity : $\leq 85\%$ ($+30^{\circ}\text{C}$)
- Atmospheric pressure : $70\text{KPa} \sim 106\text{Kpa}$

4.2、 Main technical datasheet

- Insertion loss : $\leq 0.2\text{dB}$
- UPC return loss : $\geq 50\text{dB}$
- APC return loss : $\geq 60\text{dB}$
- Life of insertion and extraction : > 1000 times

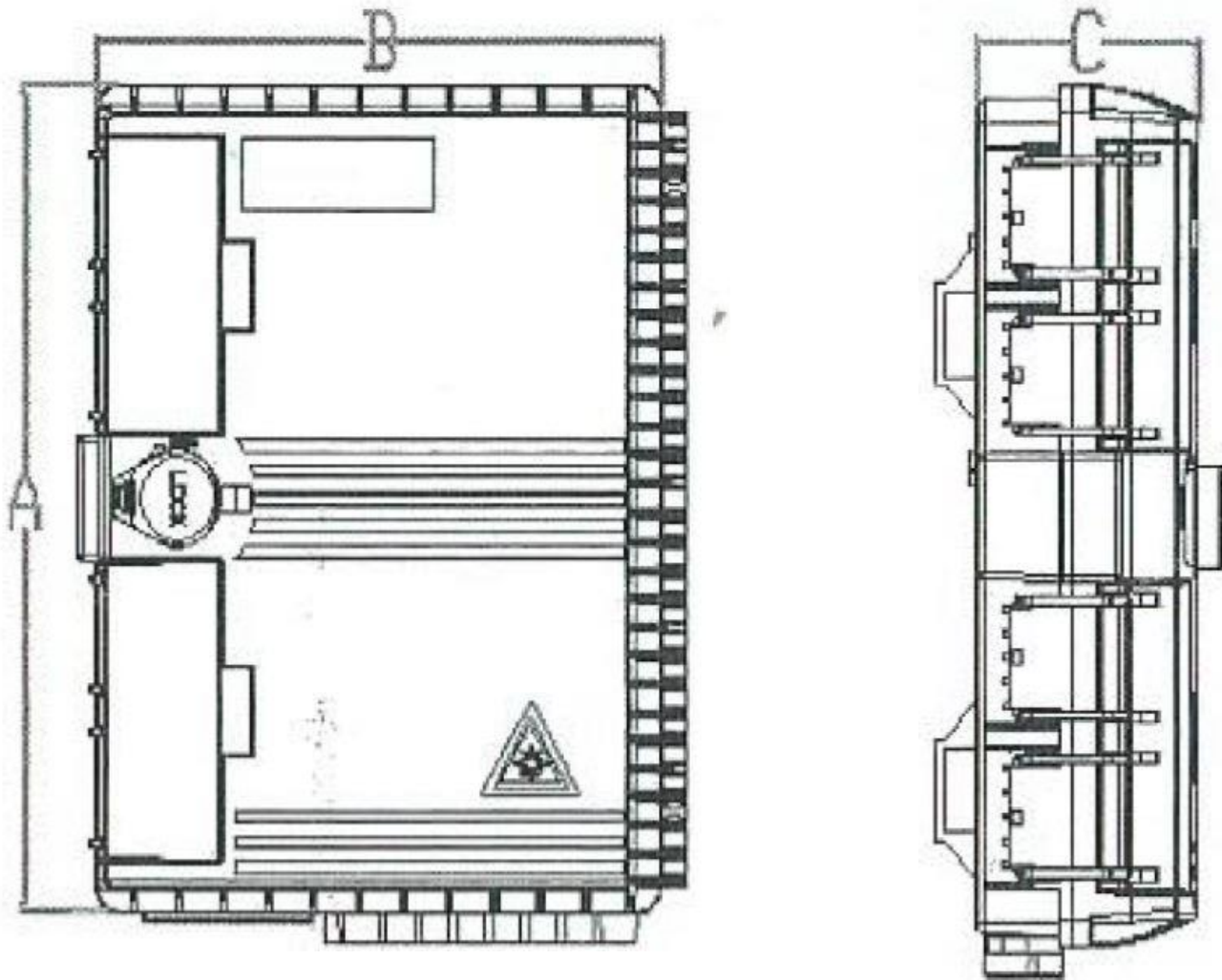
4.3Thunder-proof technical datasheet

The grounding device is isolated with the cabinet, isolation resistance is less than:

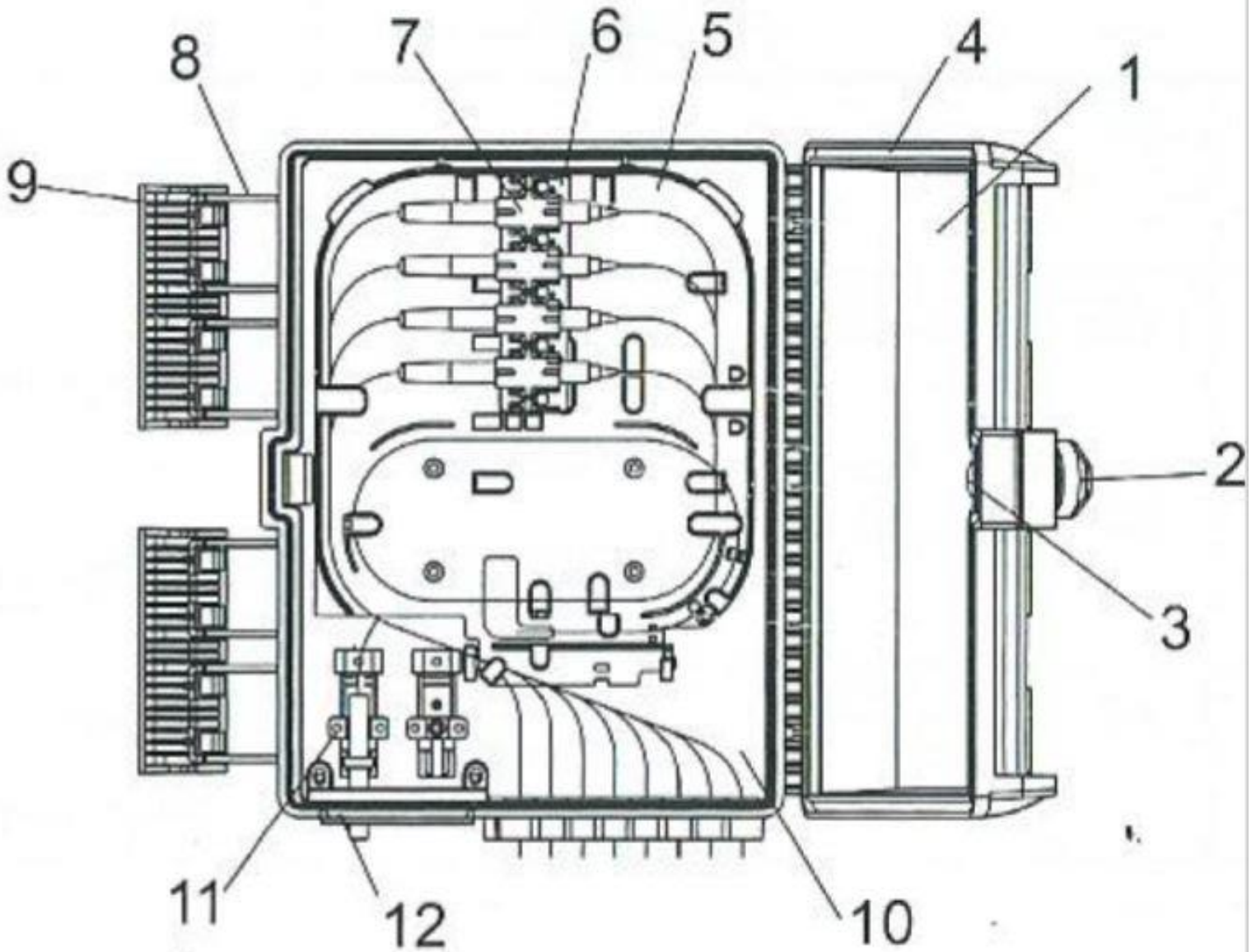
- $2 \times 10^4 \text{ M}\Omega / 500\text{V}$ (DC);
- $IR \geq 2 \times 10^4 \text{ M}\Omega / 500\text{V}$

The withstand voltage between grounding device and cabinet is no less than 3000V (DC) /min, no puncture, no flashover ; $U \geq 3000\text{V}$

5. Intallation

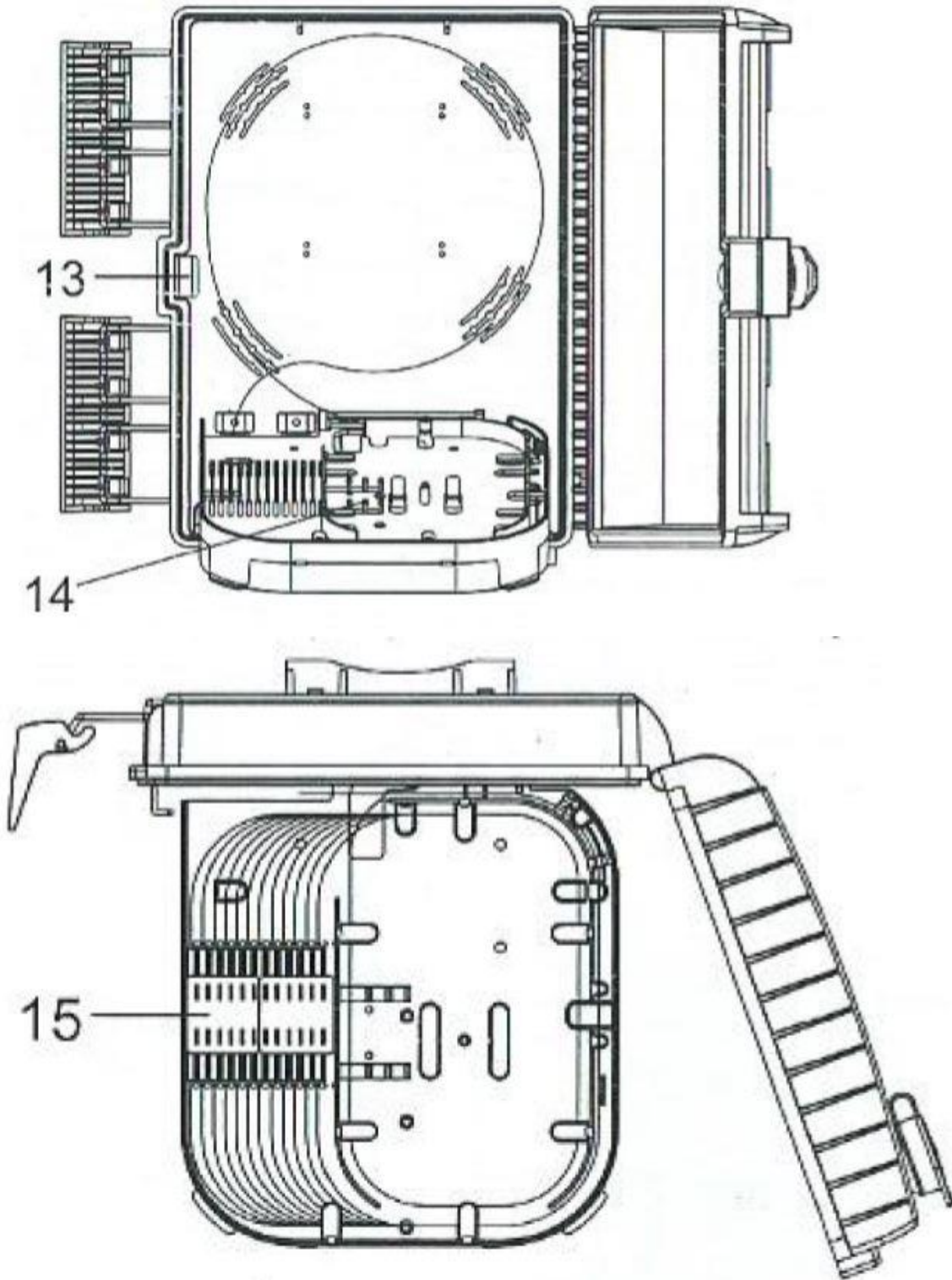


Pic 1 Box Size



5.2 Product cable ways

- | | |
|-------------------------|----------------------------------|
| 1.Lid ; | 7.Adaptor ; |
| 2.Lock coat ; | 8.Lid lock joint bracket ; |
| 3.Lock ; | 9.Lid lock clip ; |
| 4.Seal gasket ; | 10.Base ; |
| 5.Splicing flap plate ; | 11. Cable strengthen mound layer |
| 6.Adaptor holder ; | 12. Joint (Option) ; |

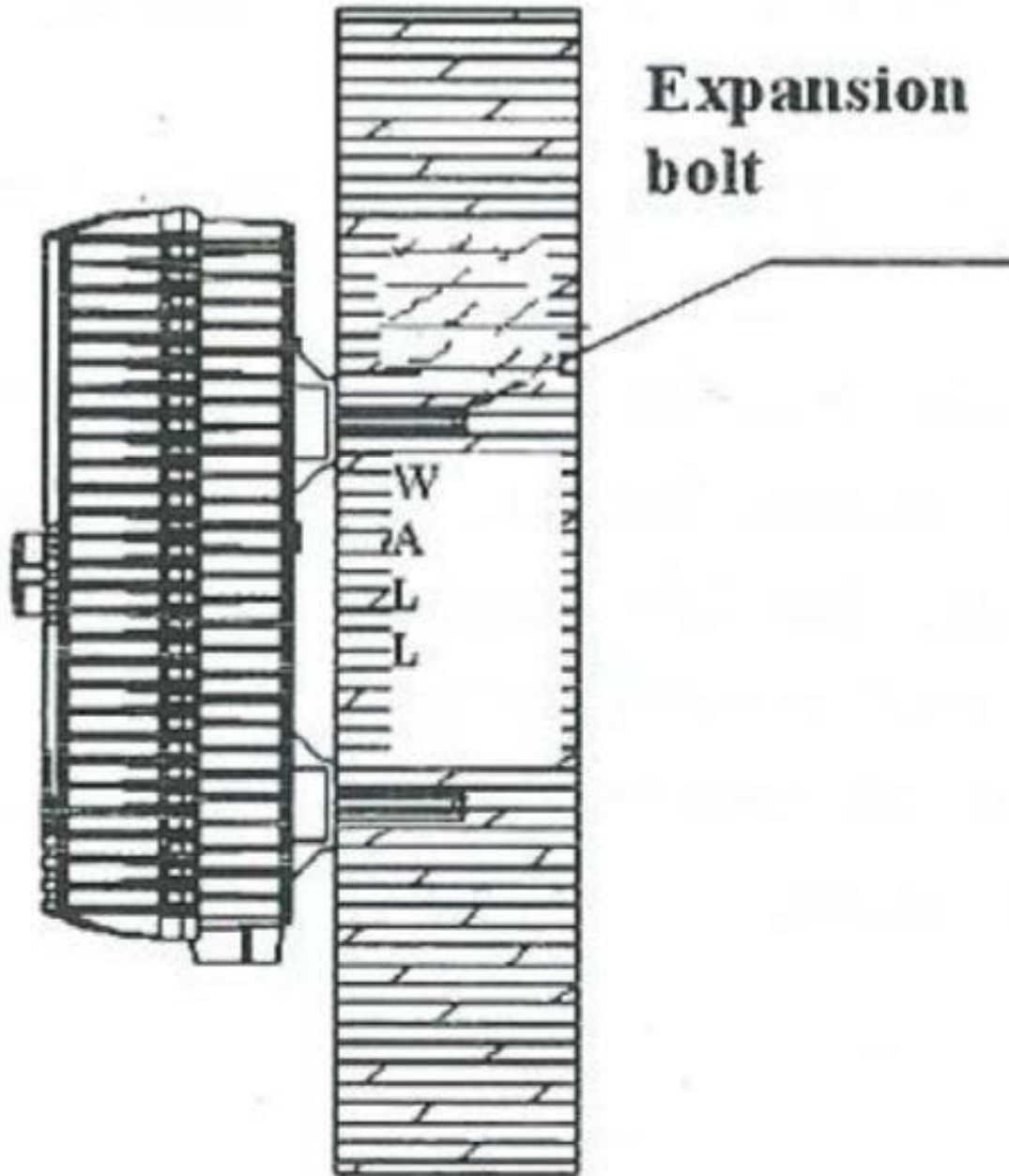


13.Lock panel ;
14.PLC mounting position ;

15. hot tube fixer

5.3 Wall-mounted installation

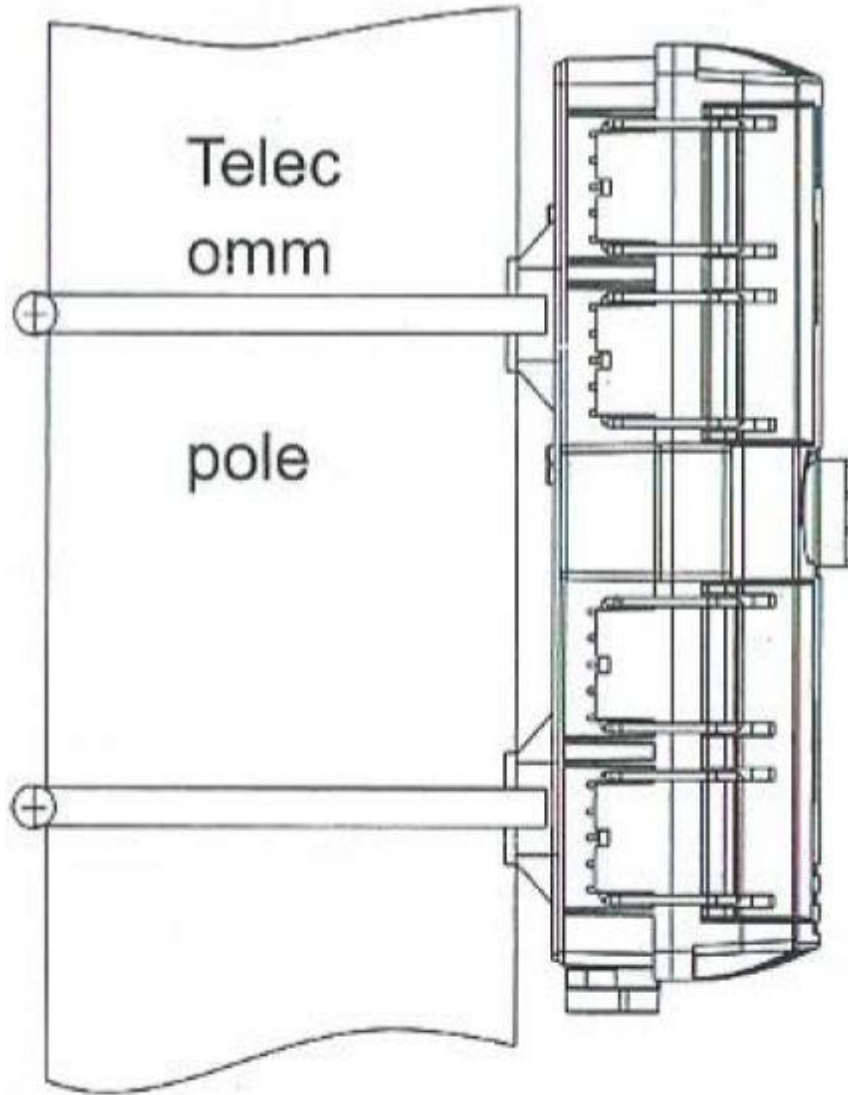
Drill 4 holes over the wall based on the size in table 1, place the expansion bolt $\Phi 7.5 \times 40$, place the box to match up the holes and use bolt to fasten. (Pic 4)



Pic 5 Wall mounted installation

5.5 Pole-mounted installation

Fix 1 set of the easy pole ring to the telecom pole . (Pic 5)



Pic 5 Pole ring installation