

# Fast Connector Type B SC/ APC/ UPC

<

**COMCAST** GROUP



# Content

- Fast Connector .....3
- Features .....3
- Drawing.....4
- Product Parameter .....5
- Singlemode UPC Singlemode APC Multimode Inertion .....6

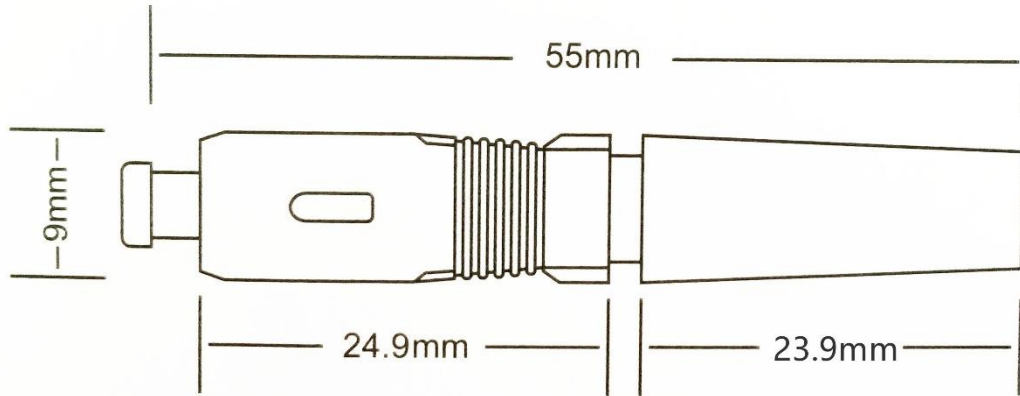
## Fast Connector

1. SC APC UPC single mode fast connector terminates the end of an optical fiber and enables quicker connection and disconnection than splicing.
2. The connectors mechanically couple and align the cores of fibers so light can pass. Better connectors lose very little light due to reflection or misalignment of the fibers.

## Features

1. Pre-terminated fiber in the ferrule, no epoxy, curing and polishing.
2. Stable optical performance and reliable environmental performance.
3. Cost effective and user friendly, termination time with Tripping and cutting tool
4. Low cost redesign, competitive price.
5. Thread joints for cable fixing.

# Drawing



## Product Parameter

	Singlemode UPC	Singlemode APC	Multimode
Inertion loss	≤0.3dB	≤0.3dB	≤0.3dB
Return loss	≥55dB	≥55dB	≥30dB
Durability	≤0.3dB typiccal change, 1000times mating		
Operating temperature	-45 to +85 degree		
Ferrule hold size	125.0+1/-0um, concertricity:≤1.0um	125.0+1/-0um, concertricity:≤0.5um	125.0um, concertriity:≤3.0um
	125.3+1/-0um, concertricity:≤1.0um	125.5+1/-0um, concertricity:≤0.5um	127.0um, concertriity:≤3.0um
	125.5+1/-0um, concertricity:≤1.0um	125.5+1/-0um, concertricity:≤0.5um	128.0um, concertriity:≤3.0um
	126.0+1/-0um, concertricity:≤1.0um	126.0+1/-0um, concertricity:≤0.5um	

## Singlemode UPC Singlemode APC Multimode Inertion

- Loss  $\leq 0.3\text{dB}$   $\leq 0.3\text{dB}$   $\leq 0.3\text{dB}$
- Return loss  $\geq 55\text{dB}$   $\geq 55\text{dB}$   $\geq 30\text{dB}$
- Durability  $\leq 0.3\text{dB}$  typical change, 1000 times mating
- Operating temperature -45 to +85 degree

Ferrule hold size  $125.0+1/-0\mu\text{m}$ , concentricity:  $\leq 1.0\mu\text{m}$   $125.0+1/-0\mu\text{m}$ , concentricity:  $\leq 0.5\mu\text{m}$   $125.0\mu\text{m}$  concentricity:  $\leq 3.0\mu\text{m}$

$125.3+1/-0\mu\text{m}$ , concentricity:  $\leq 1.0\mu\text{m}$   $125.5+1/-0\mu\text{m}$ , concentricity:  $\leq 0.5\mu\text{m}$   $127.0\mu\text{m}$ , concentricity:  $\leq 3.0\mu\text{m}$

$125.5+1/-0\mu\text{m}$ , concentricity:  $\leq 1.0\mu\text{m}$   $125.5+1/-0\mu\text{m}$ , concentricity:  $\leq 0.5\mu\text{m}$   $128.0\mu\text{m}$ , concentricity:  $\leq 3.0\mu\text{m}$

$126.0+1/-0\mu\text{m}$ , concentricity:  $\leq 1.0\mu\text{m}$   $126.0+1/-0\mu\text{m}$ , concentricity:  $\leq 0.5\mu\text{m}$

## Packing Details



**For More Information**

Please visit our website [www.comcast-sa.com](http://www.comcast-sa.com) or contact your local sales representative.

**Comcast México**

Overseas Sales Subsidiary  
Cal. Lázaro Cárdenas #1309  
Col. Colón industrial CP.44940  
Guadalajara, Jalisco  
Tel. +52 33 38607059  
Info.mx@comcast-sa.com

**Comcast Guatemala**

Overseas Sales Subsidiary  
20 calle 23-70 Zona 10  
Guatemala  
Tel. +506 4004 1400  
Gerente.gua@comcast-sa.com

**Comcast Nicaragua**

Overseas Sales Subsidiary  
3ra. Entrada las Colinas, Embajada  
De cuba 1C, Este, Casa #34  
Mangua, Nicaragua  
Te, +1809 5711033  
Admin.nic@comcast-sa.com

**Comcast El Salvador**

Overseas Sales Subsidiary  
51 Av. Norte # 159 entre calle  
poniente y Av. Roosevelt  
San Salvador, El Salvador  
Tel. +503 7950 4882  
Info.sc@comcast-sa.com

**Comcast Republican  
Dominican**

Overseas Sales Subsidiary  
Winston Churchill No. S, Suite 3F,  
Distrito NAccionall  
Santo Domingo, Dominican Rpublic  
Te.+ 1 809 571 1033