

KV SERIES WALL MOUNTING CABINETS

COMCAST GROUP



Standard

Comply with EIA-310-E, IEC297-2, DIN41491 PART1, DIN41494 PART7, GB/T3047.2-92 standard compatible with ETSI standard

Features

- Various sizes and parts are available according to different application demand.
- Completely welded structure, firm and reliable.
- Cable in/out access at the top, bottom and rear for convenient cabling on site.
- Embedded side panel, tool free in assembling and dismantling, lock is optional.
- Front door can be dismantled and change from right to left quickly without tools, opening angle 180°, convenient for equipment's installation and maintenance.
- Providing several copper grounding studs. Castor or adjustable feet is optional for fix to the ground.
- Maximum static loading is 25~55kgs. Surface treatment procedure is degreasing-->pickling- ->anti-rust and phosphorylation-->water cleaning-->powder coating, RoHS compliant.

Aplicattion

Specially designed for internet servers, provides excellent and stable work environment for equipments inside the cabinet, used in data centers of bank, financial, telecom, government, education and security departments.



The top stripes are detachable to facilitate wiring.



Glass door



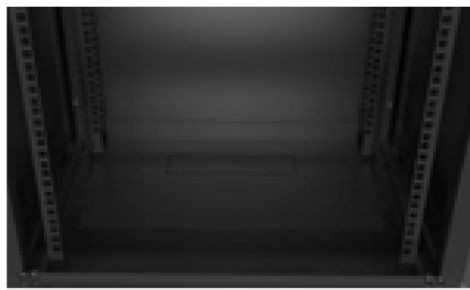
front door with security locks, easily use



The design of back panel is convenient to install the wall



Detachable side panels, can be loacked.

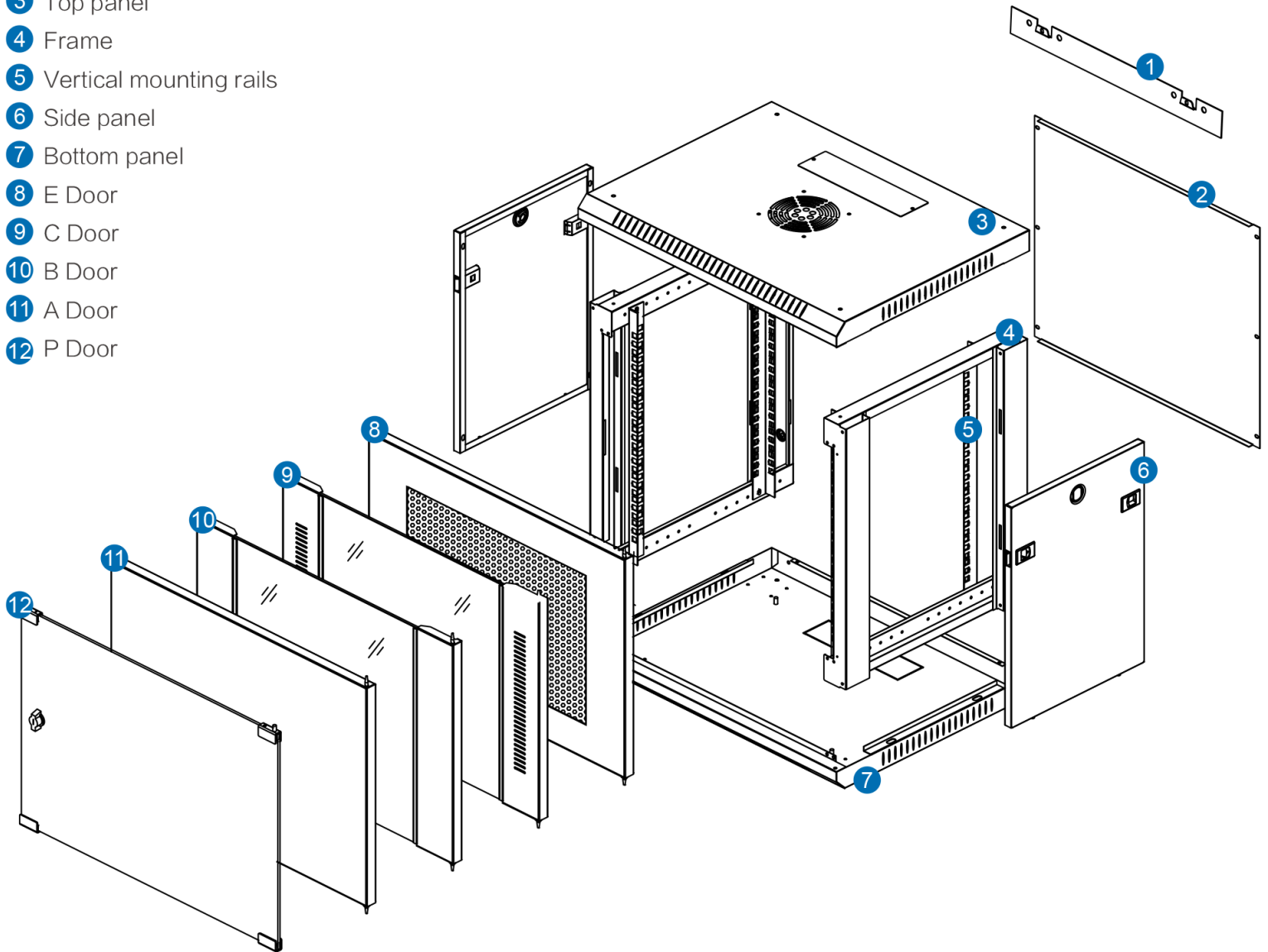


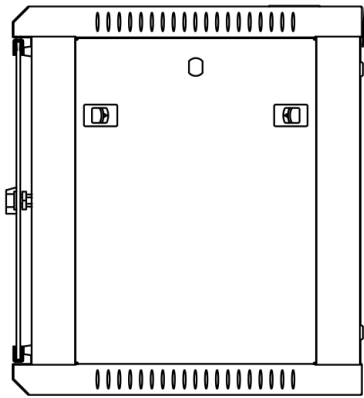
The bottom stripes are detachable to facilitate wiring.



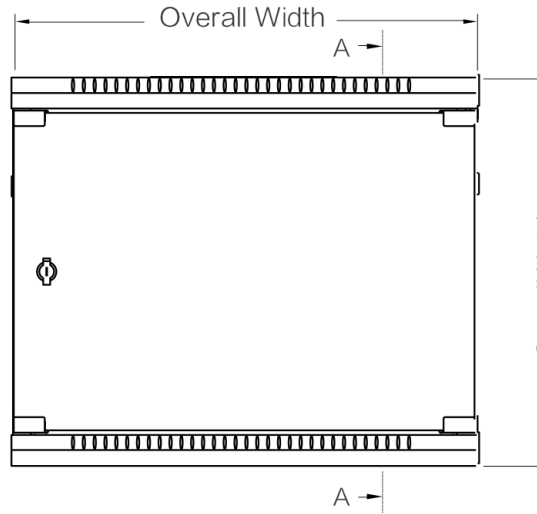
Draw

- 1 Wall mounting plate
- 2 Back panel
- 3 Top panel
- 4 Frame
- 5 Vertical mounting rails
- 6 Side panel
- 7 Bottom panel
- 8 E Door
- 9 C Door
- 10 B Door
- 11 A Door
- 12 P Door

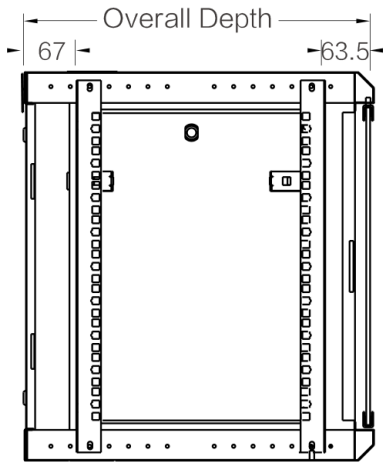




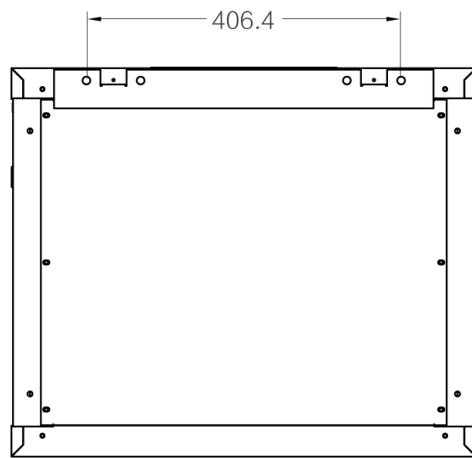
Side View



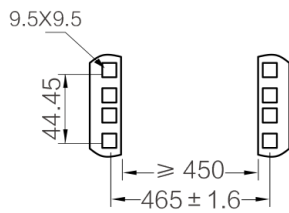
Front View



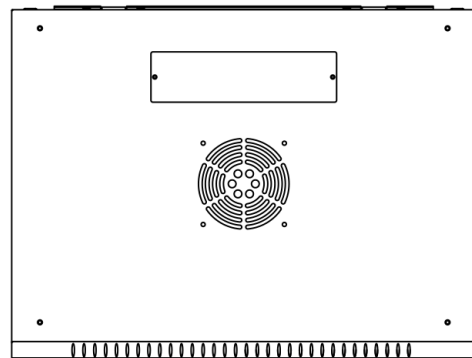
Side View
(A-A)



Back View



Mounting Dimension



Top View

Please visit our website www.comcast-sa.com or contact your local sales representative.

Comcast México

Overseas Sales Subsidiary
Cal. Lázaro Cárdenas #1309
Col. Colón industrial CP.44940
Guadalajara, Jalisco
Tel. +52 33 38607059
Info.mx@comcast-sa.com

Comcast Guatemala

Overseas Sales Subsidiary
Av. Hincapié 28-45 zona 13
Guatemala city 01013
Tel. +506 4004 1400
Gerente.gua@comcast-sa.com

Comcast Nicaragua

Overseas Sales Subsidiary
3ra. Entrada las Colinas, Embajada
De cuba 1C, Este, Casa #34
Mangua, Nicaragua
Te, +1809 5711033
Admin.nic@comcast-sa.com

Comcast El Salvador

Overseas Sales Subsidiary
51 Av. Norte # 159 entre calle
poniente y Av. Roosevelt
San Salvador, El Salvador
Tel. +503 7950 4882
Info.sc@comcast-sa.com

Comcast Dominican Republic

Overseas Sales Subsidiary
Av. Nuñez de Cáceres #2 Plaza
Comercial Pradosur, Local 102
Santo Domingo, Dominican Rpublic
Te.+ 1 809 571 1033