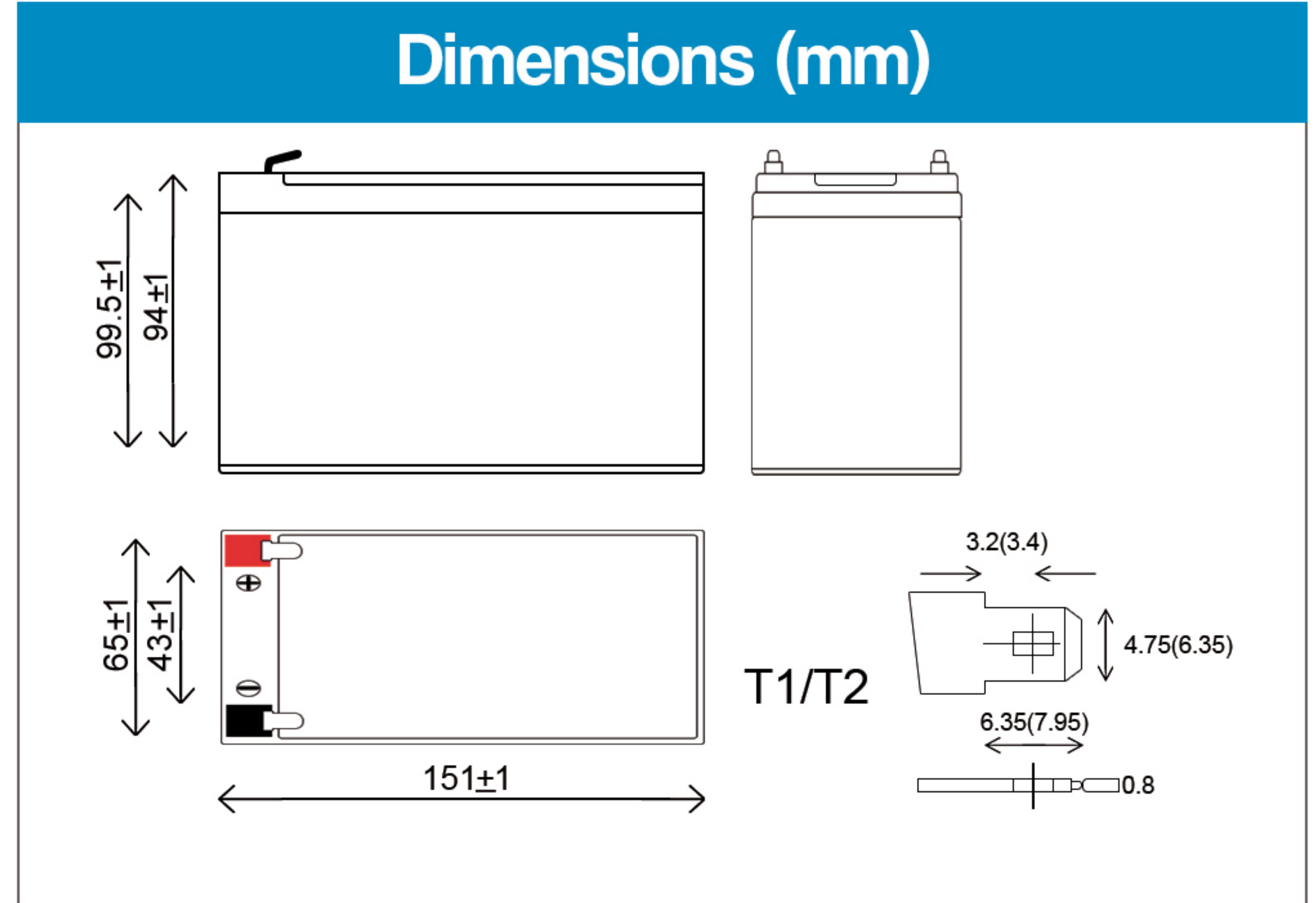
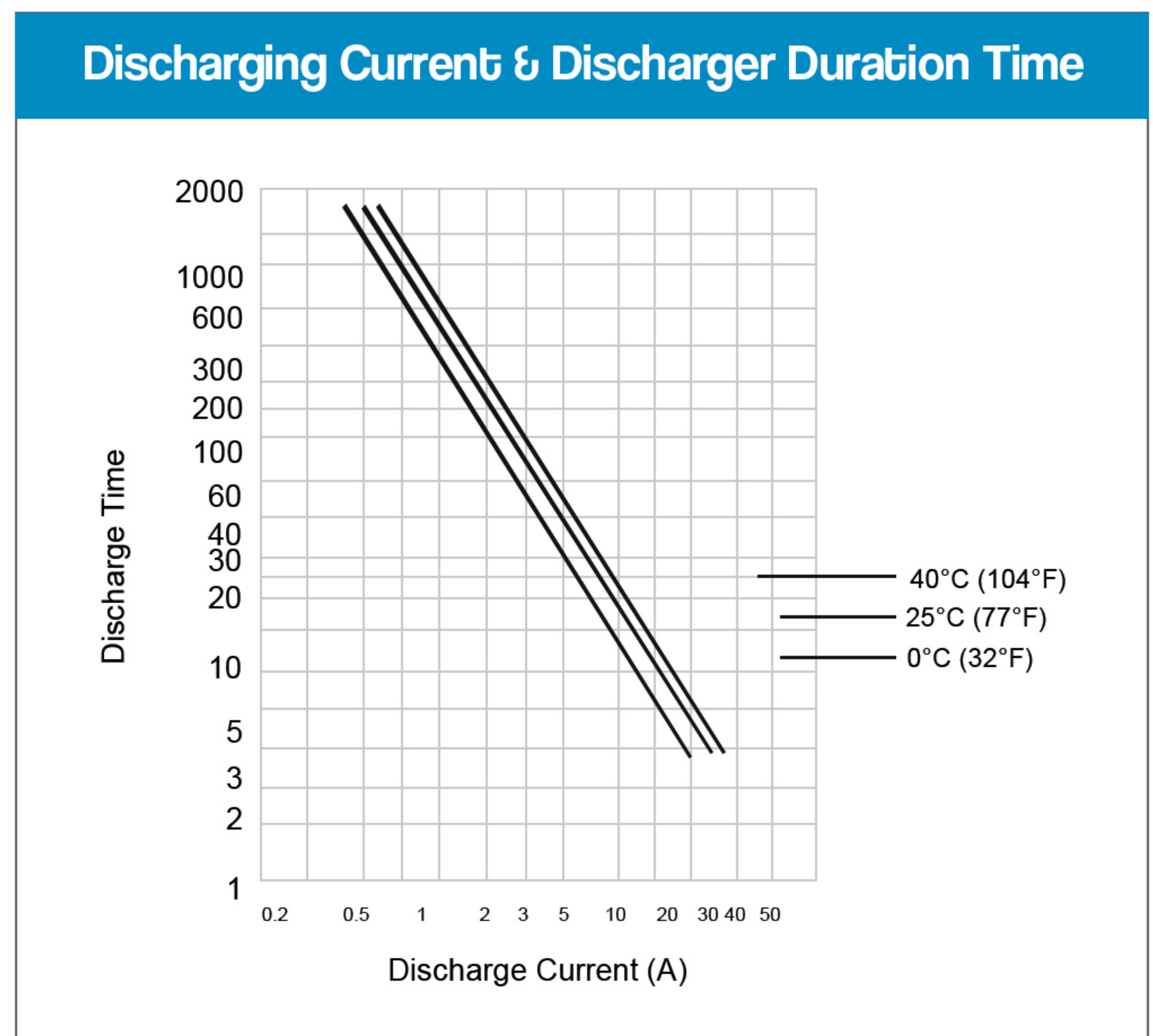


EAST NP7-12 (12v7.0Ah)



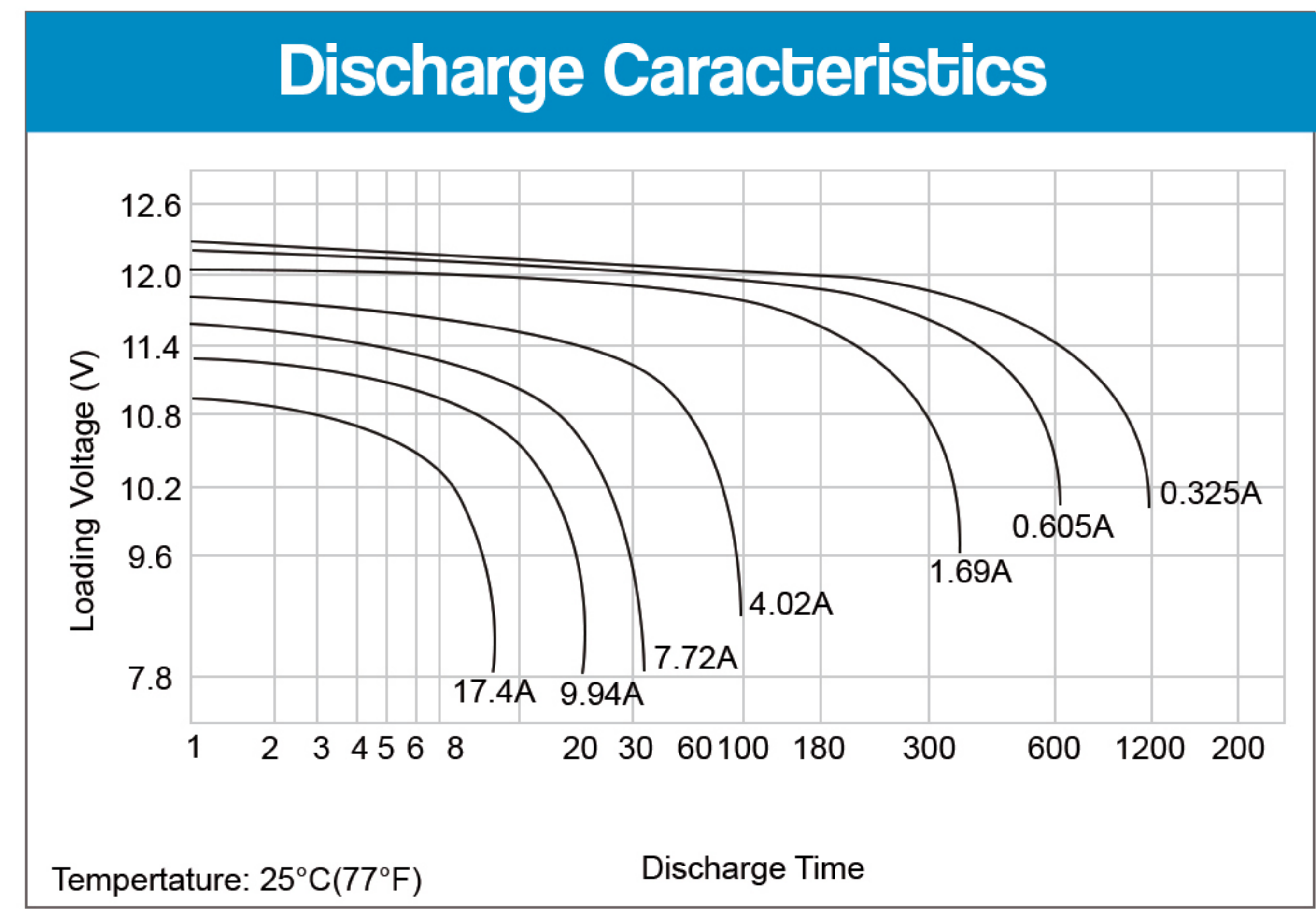
Battery Specification

| | | |
|-------------------------|------------------|-------------|
| Nominal Voltage | 12V | |
| Nominal Capacity (20hr) | 6.5AH | |
| Dimension | Length | 151 ± 2mm |
| | Width | 65 ± 1mm |
| | Container Height | 93.5 ± 1mm |
| | Total Height | 105.5 ± 1mm |
| Approx Weight | 2.05kg±5% | |
| Standard Terminal | T1/T2 | |



Electrical Specification

| | | | | | |
|----------------------------------|---------------|--------|-------------------------|---|-----------|
| Rated Capacity | 20hr (0.325A) | 6.50H | Cycle Use | Initial Charging Current less than: 1.95A Charging Voltage 14.4~15.0V at 25°C(77°F) Temperature Coefficient - 30m V/°C | |
| | 10hr (0.605A) | 5.05AH | | | |
| | 5hr (1.12A) | 5.60AH | | | |
| | 3hr (1.69A) | 5.07AH | | | |
| | 1hr (4.02A) | 4.02AH | | | |
| Capacity affected by Temperature | 40°C (104°F) | 103% | Constant Voltage Change | No limit on Initial Charging Current Charging Voltage 13.5~13.8V at 25°(77°F) Charging Voltage 14.4~15.0V at 25°(77°F) | |
| | 25°C (77°F) | 100% | | | Float Use |
| | 0°C (32°F) | 86% | | | |



Constant current (Amp) and constant power (Watt) Discharge Table

| | | | | | | | | | | | | | | |
|--|------|------|------|------|------|------|------|------|------|------|------|------|-------|-------|
| Discharge Time (min) Final Voltage/cell | 10 | 15 | 20 | 30 | 45 | 60 | 120 | 180 | 240 | 300 | 360 | 480 | 600 | 1200 |
| Constant Current Constant Power/Cell | 1.60 | 1.60 | 1.60 | 1.60 | 1.60 | 1.67 | 1.70 | 1.75 | 1.75 | 1.75 | 1.75 | 1.80 | 1.80 | 1.80 |
| Current (Amp) | 17.4 | 12.6 | 9.94 | 7.22 | 5.10 | 4.02 | 2.30 | 1.69 | 1.35 | 1.12 | 0.96 | 0.74 | 0.605 | 0.325 |
| Power (Watt) | 29.5 | 22.0 | 17.8 | 13.1 | 9.45 | 7.63 | 4.41 | 3.27 | 2.61 | 2.18 | 1.87 | 1.46 | 1.194 | 0.643 |

For More Information
Please visit our website www.comcast-sa.com or contact your local sales representative.

México

Overseas Sales Subsidiary
Cal. Lázaro Cárdenas #1309
Col. Colón industrial CP.44940
Guadalajara, Jalisco
Tel. +52 33 38607059
info.mx@comcast-sa.com

Guatemala

Overseas Sales Subsidiary
Av. Hincapié 28-45 zona 13
Guatemala city 01013
Tel. +502 2309 7221
info.gua@comcast-sa.com

Nicaragua

Overseas Sales Subsidiary
Km 9.5 carretera a masaya contigo
al hotel plaza guanacaste
Managua, Nicaragua
Tel. +505 5764 9497
admin.nic@comcast-sa.com

El Salvador

Overseas Sales Subsidiary
Calle El Bambú 8,
Ayutuxtepeque
San Salvador, El Salvador
Tel. +503 7950 4882
info.sv@comcast-sa.com

Dominican Republic

Overseas Sales Subsidiary
Av. Nuñez de Cáceres #2 Plaza
Comercial Pradosur, Local 102
Santo Domingo, Dominican Republic
Te.+ 1 809 571 1033
info.dr@comcast-sa.com